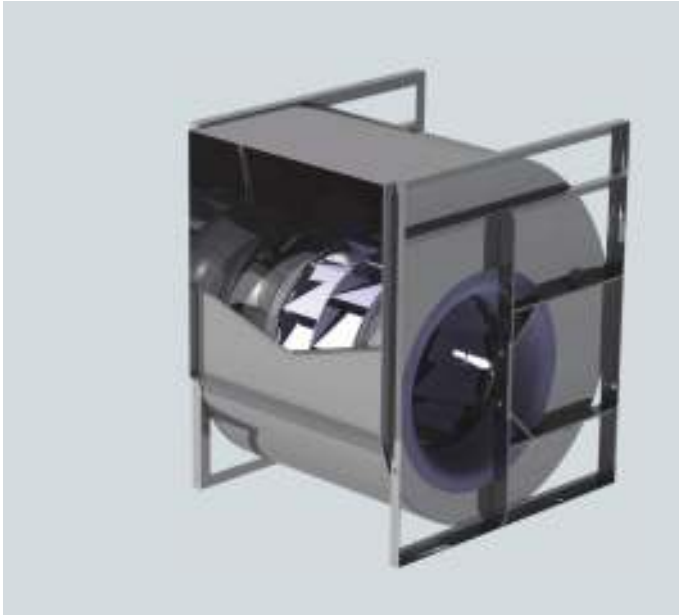


# DBC Backward Centrifugal Fan



**DOUBLE INLET CENTRIFUGAL FAN  
BACKWARD IMPELLER**

### FEATURES

The Backward Curve Impeller generates higher efficiency and less noise than Forward Curve impeller. Efficiency is only slightly less than airfoil blade but its suits for industrial applications where airfoil blade is not acceptable because of corrosive or erosive environment.

### APPLICATIONS

These models are widely used in for the replacements like low pressure HVAC application such as atomizing oil burners, automotive heaters, air-conditioners, space heaters, processing machinery, house hold all appliances, window ventilators draft inducers, electronics, transformers and many others.

In general these fans are suitable for supply or extract applications in commercial, process and industrial HVAC systems.

### FLOW RANGES

Flow Volume ( CMH)	Total Pressure ( Pa)
400 to 120,000	2200



Maico Gulf LLC certifies that the Dynair model DBC series: version S, M and H for the model 200 to 1000 shown herein is licensed to bear the AMCA Seal. The ratings shown are based on test and procedures performed in accordance with AMCA Publication 211 and AMCA Publication 311 and comply with the requirements of the AMCA Certified Ratings Program.